

TAMC900 AMC with 8 high Speed ADCs 105 MSps, 14 Bit

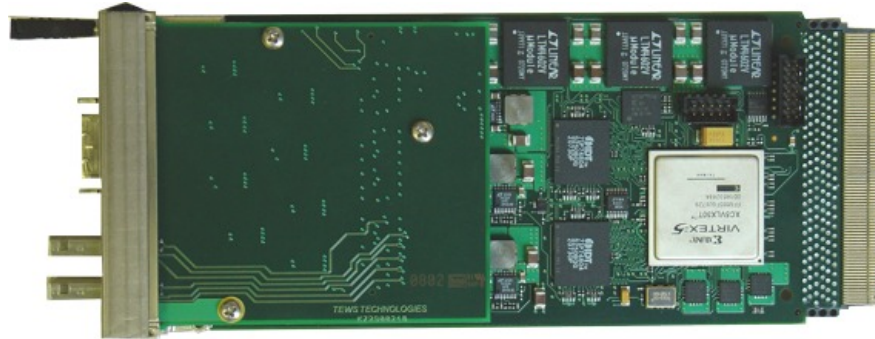


Figure 1: TAMC900 with TAMC900-A1 mounted

Application Information

The TAMC900 is a high speed, high performance analog to digital converter AdvancedMC. In addition to the eight high speed ADCs, it provides excessive preprocessing power by a Virtex-5 FPGA and high speed on board memory for e.g. full bandwidth snapshots.

A Virtex-5 LX30T is assembled on the TAMC900-10R. The TAMC900-25R is assembled with a Virtex-5 SX35T.

AMC Port 4-11 on the TAMC900-10R or Port 0, 1 and 4-9 on the TAMC900-25R can be used to transmit the ADC data to the CPU.

To adapt the TAMC900 to different customer requirements, the TAMC900 is equipped with a Signal Conditioning Adapter (SiCA) that contains the front panel with the connectors for the analog inputs, clock and trigger inputs and the analog signal conditioning.

The TAMC900 provides three clock inputs and three trigger inputs. The three external clock inputs and the PCIe reference clock are routed to a flexible clocking

scheme that allows independent clocking of the ADCs in two groups. The trigger inputs are routed to the FPGA.

Eight LTC2254 ADCs provide up to 105 MSps and 14 bit resolution each. The minimum sample rate is 1 Msps.

4 MByte high speed on board QDR-II SRAM enables snapshots of all ADCs at full speed and full resolution for 2ms.

According to AMC.0, the TAMC900 provides an IPMI compliant Module Management Controller (MMC) with temperature monitoring and hot-swap support.

The TAMC900 is delivered with a basic firmware, which allows gathering ADC data from all channels, triggering, clock configuration, and uses a PCIe x4 Link (AMC Port 4-7) to transmit ADC data to the CPU. Driver and Example Application for the basic firmware are available for different operating systems.

For First-Time-Buyers the engineering documentation TAMC900-ED is recommended. The engineering documentation includes TAMC900-DOC, schematics and data sheets of TAMC900.

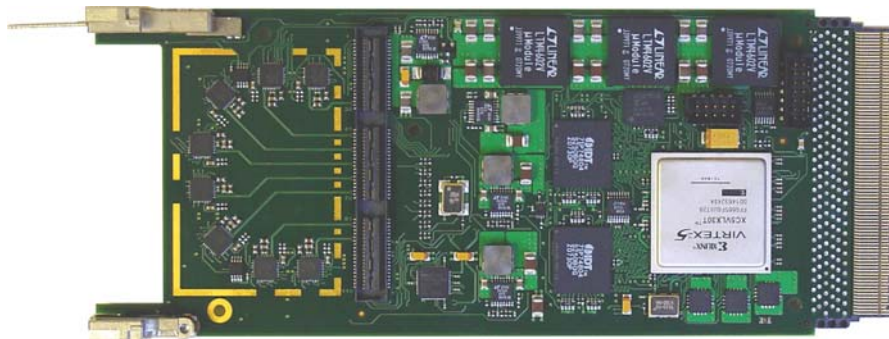


Figure 2: TAMC900

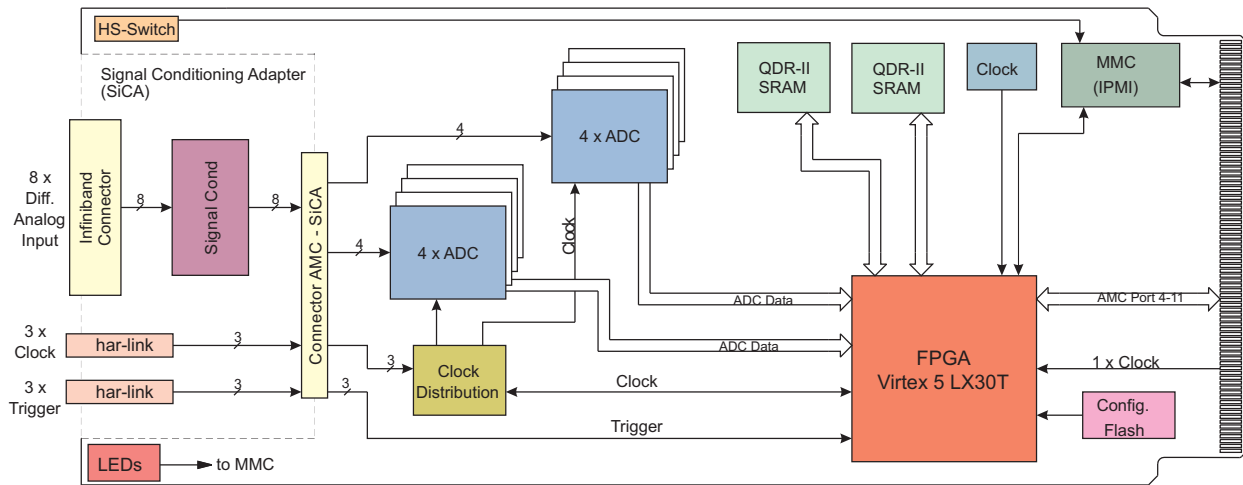


Figure 3: Block Diagram TAMC900-10R

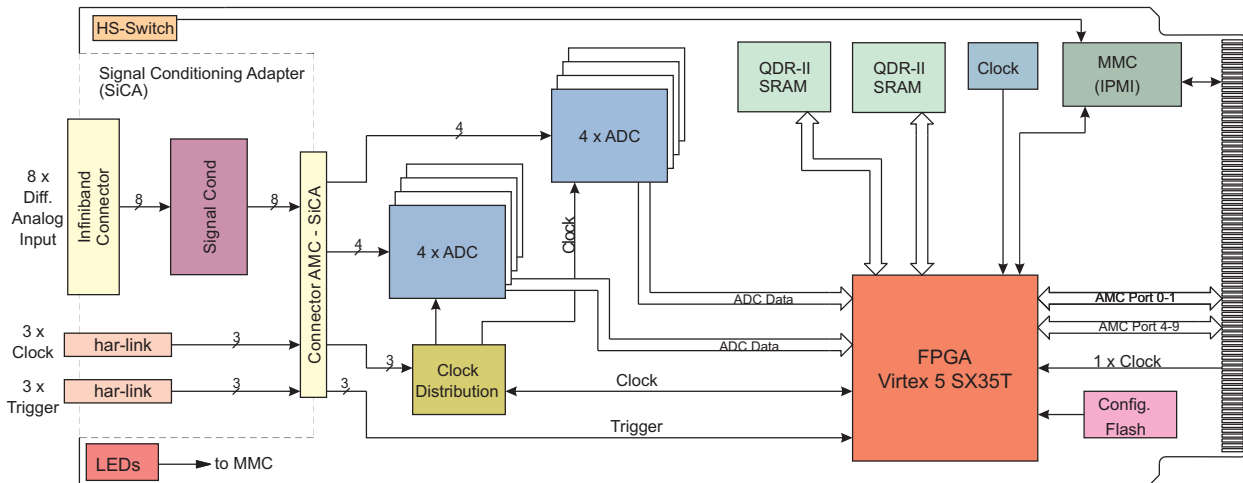


Figure 4: Block Diagram TAMC900-25R

Technical Information

- Form Factor: PCIMG AMC.0
 - Board size: 180.6 mm x 73.5 mm
 - Single width / Mid-Size
- Fabric Interface:
 - TAMC900-10R: Port 4-11
 - TAMC900-25R: Port 0-1 & 4-9
- Virtex-5 FPGA
 - TAMC900-10R: LX30T
 - TAMC900-25R: SX35T
- 4 MByte QDR-II SRAM
- IPMI Support
- Front Panel LEDs:
 - Blue Hot-Swap LED
 - Red FAIL LED (LED1)
 - Green User LED (LED 2)
- Analog-to-Digital Converter:
 - 8 x LTC2254 ADCs
 - 105 MSps
 - 14 bit
- 3 external clock inputs
- 3 external trigger inputs
- Signal Conditioning Adapter for flexible adoption to customer analog input requirements
- Operating temperature: 0°C to +55°C

Order Information

RoHS Compliant

TAMC900-10R AMC with Virtex-5 LX30T, 8 high speed ADCs 105 MSps 14 bit, requires Signal Conditioning Adapter
TAMC900-25R AMC with Virtex-5 SX35T, 8 high speed ADCs 105 MSps 14 bit, requires Signal Conditioning Adapter
TAMC900-A1-10R Signal Conditioning Adapter, Gain = 1

Optional available on request:

- Other FPGA (LX50T, SX50T, FX30T or FX70T)
- 8 MB QDR-II memory
- ADCs with different sample rate and resolution

Documentation

TAMC900-DOC User Manual for TAMC900
TAMC900-A1-DOC User Manual for TAMC900-A1
TAMC900-ED Engineering documentation (TAMC900-DOC, Schematics, Assembly Drawing, Data Sheets)

Software

TAMC900-SW-25: Integrity Software Support (for basic firmware)
TAMC900-SW-42: VxWorks Software Support (for basic firmware)
TAMC900-SW-65: Windows XR/XRE/2000 Software Support (for basic firmware)
TAMC900-SW-72: LynxOS Software Support (for basic firmware)
TAMC900-SW-82: LiNux Software Support (for basic firmware)
TAMC900-SW-95: QNX 6 Software Support (for basic firmware)

For other operating systems please contact TEWS.



systemerra computer GmbH • Kreuzberger Ring 22
D-65205 Wiesbaden • ☎ +49 (0) 611 9748 470
✉ info@systemerra.de • 🌐 www.systemerra.de